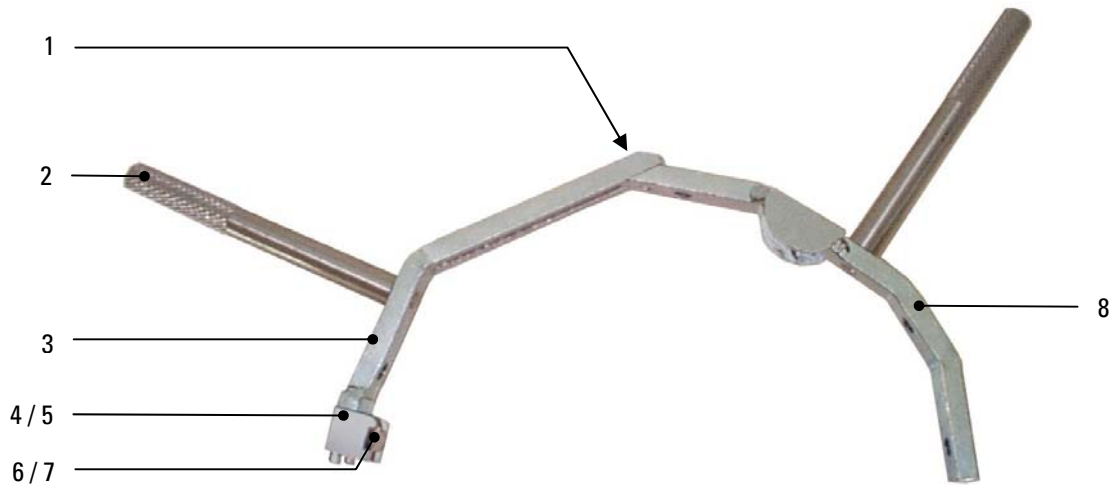
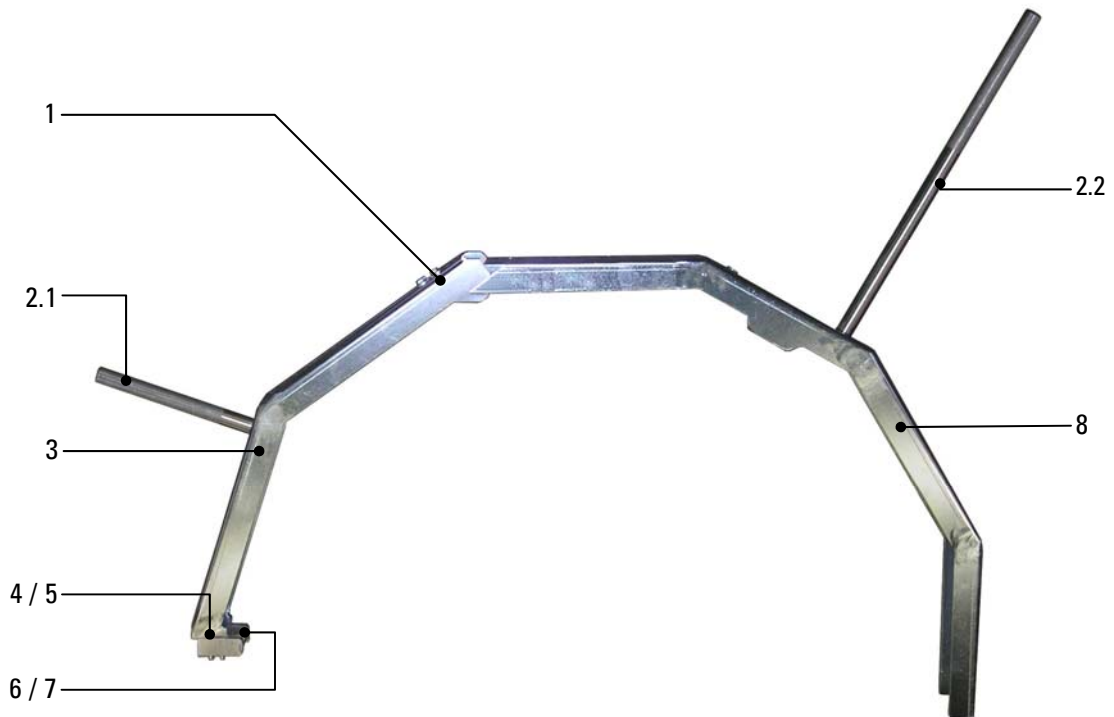


Spare parts list for size 1 - 4



Outside Debeader Size 1				Outside Debeader Size 2			
Pos.	Name	Pieces	Art. No.	Pos.	Name	Pieces	Art. No.
1	French head screw M6x16 DIN 7380	1	7380F016	1	French head screw M6x16 DIN 7380	1	7380F016
2	Knurled grip	2	565206	2	Knurled grip	2	565206
3	Guide rail	1	565103	3	Guide rail	1	565203
4	Cutting head	1	565101	4	Cutting head	1	565201
5	Pan-head screw M4x25 DIN 912	2	0912D025	5	Pan-head screw M5x30 DIN 912	2	0912E030
6	Knife	1	MES285	6	Knife	1	MES039
7	Flat-head screw M3x8 DIN 965	2	0965C008	7	Flat-head screw M3x8 DIN 965	2	0965C008
8	Guiding	1	565104	8	Guiding	1	565204
--	Allan key angled size 4	1	ZIG04	--	Allan key angled size 4	1	ZIG04
Outside Debeader Size 3				Outside Debeader Size 4			
Pos.	Name	Pieces	Art. No.	Pos.	Name	Pieces	Art. No.
1	French head screw M6x16 DIN 7380	1	7380F016	1	French head screw M6x16 DIN 7380	1	7380F016
2	Knurled grip	2	565206	2	Knurled grip	2	565206
3	Guide rail	1	565303	3	Guide rail	1	565403
4	Cutting head	1	565201	4	Cutting head	1	565401
5	Pan-head screw M5x30 DIN 912	2	0912E030	5	Pan-head screw M5x30 DIN 912	2	0912E030
6	Knife	1	MES039	6	Knife	1	MES052
7	Flat-head screw M3x8 DIN 965	2	0965C008	7	Flat-head screw M3x8 DIN 965	2	0965C008
8	Guiding	1	565304	8	Guiding	1	565404
--	Allan key angled size 4	1	ZIG04	--	Allan key angled size 4	1	ZIG04

Spare parts list for size 6 - 9



Outside Debeader Size 6				Outside Debeader Size 8			
Pos.	Name	Pieces	Art. No.	Pos.	Name	Pieces	Art. No.
1	Hexagon head screw M10x20 DIN 933	1	7991F020	1	Hexagon head screw M10x20 DIN 933	1	7991F020
to 1	Washer M10 DIN 9021	2	9021J	to 1	Washer M10 DIN 9021	2	9021J
2.1	Knurled grip, short	2	565606	2.1	Knurled grip, short	1	565606
2.2	Knurled grip, long	1	565807	2.2	Knurled grip, long	1	565807
3	Guide rail	1	565603	3	Guide rail	1	565803
4	Cutting head reinforced	1	5656011	4	Cutting head	1	5658011
5	Pan-head screw M6x30 DIN 912	2	0912F030	5	Pan-head screw M5x30 DIN 912	2	0912E030
6	Knife	1	MES071	6	Knife	1	MES071
7	Flat-head screw M5x12 DIN 7991	2	7991E012	7	Flat-head screw M4x12 DIN 965	2	0965D012
8	Guiding	1	565604	8	Guiding	1	565804
--	Ring-fork wrench SW 17	1	ZRG17	--	Ring-fork wrench SW 17	1	ZRG17
Outside Debeader Size 9							
Pos.	Name	Pieces	Art. No.				
1	Hexagon head screw M10x20 DIN 933	1	7991F020				
to 1	Washer M10 DIN 9021	2	9021J				
2.1	Knurled grip, short	1	565606				
2.2	Knurled grip, long	1	565807				
3	Guide rail	1	565903				
4	Cutting head	1	5658011				
5	Pan-head screw M5x30 DIN 912	2	0912E030				
6	Knife	1	MES071				
7	Flat-head screw M4x12 DIN 965	2	0965D012				
8	Guiding	1	565904				
--	Ring-fork wrench SW 17	1	ZRG17				